

SPECIFICATIONS

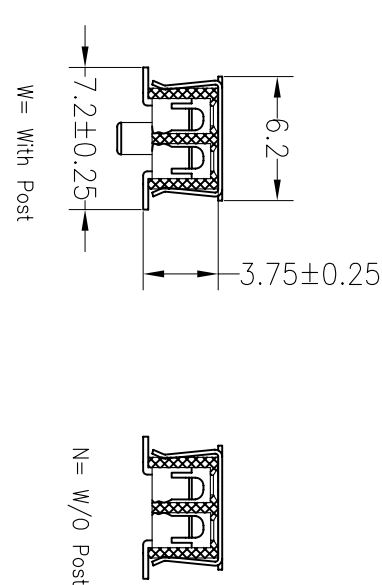
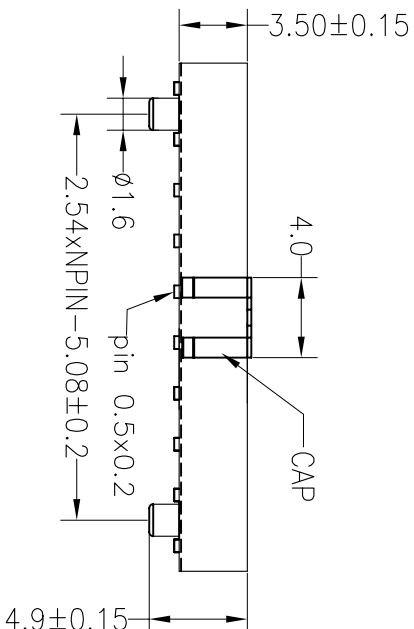
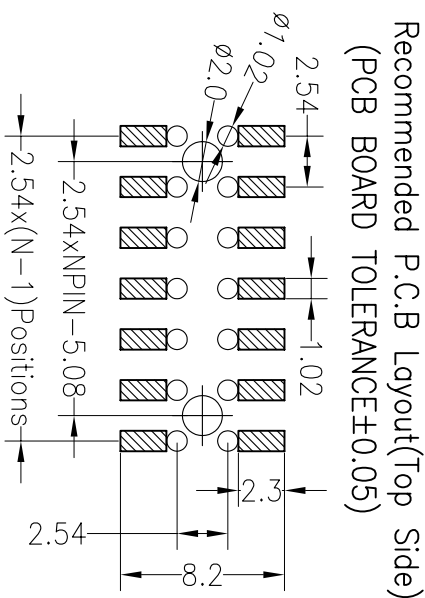
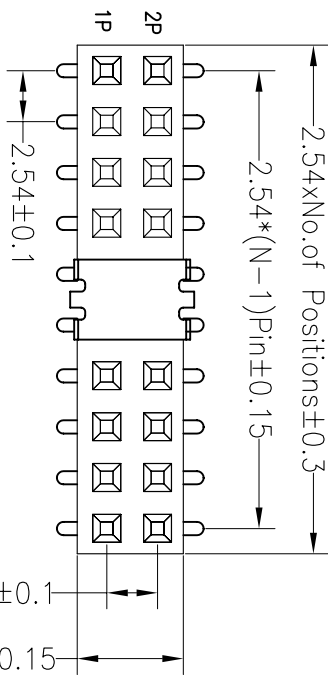
Rated Current:3.0AMP
 Contact Resistance:20mΩ Max
 Withstand Voltage:1000V AC/DC
 Insulation Resistance:1000MΩ Min
 Operation Temperature:-40°C to +105°C

Contact Material:Brass
 Contact Plating:Au or Sn Over Ni
 Insulator Material:Polyester(UL94V-0)
 Standard: PA6T
 Max.Processing Temp: 230°C for 30-60 seconds
 (260°C for 10 seconds)

Ordering Information

2235 02 XX X XX M U X 01

No. of Pins Per Row 2*40
 Insulator Material Option
 A=BK-PBT
 B=BK-PA66
 C=BK-PA6T
 D=BK-PA46
 E=BK-PA9T
 F=BK-LCP
 Post W=With Post
 N=W/O Post
 Contact Plating
 G0:Gold Flash
 G2:5U" Gold
 G3:10U" Gold
 G4:15U" Gold
 G5:30U" Gold
 S0:Gold Flash/Tin
 SN:Tin
 Packing
 T=Tube
 P=Tube+Cap
 R=Reel+Cap
 M=Reel+Mylar



OPERATION		DRAW		BEN		SCALE		FIT		PART NO.	
X.X	±0.30				12.03.28	UNIT	mm	A4	1/1	223502XXXXXXMUX01	
X.XX	±0.20	CHECK				SIZE	A4				
X.XXX	±0.10					SHEET	1/1				
Angle	±3°	APPROVE				PROJ.					
DIM	TOL					TITLE:		2.54PF H3.5mm 2xNpin SMT			

JIN 深圳市锦凌电子有限公司
 SHENZHEN JINLING ELECTRONIC CO.,LTD
 Tel: 86-755-2997-5806/5802 Fax: 86-755-2997-5992